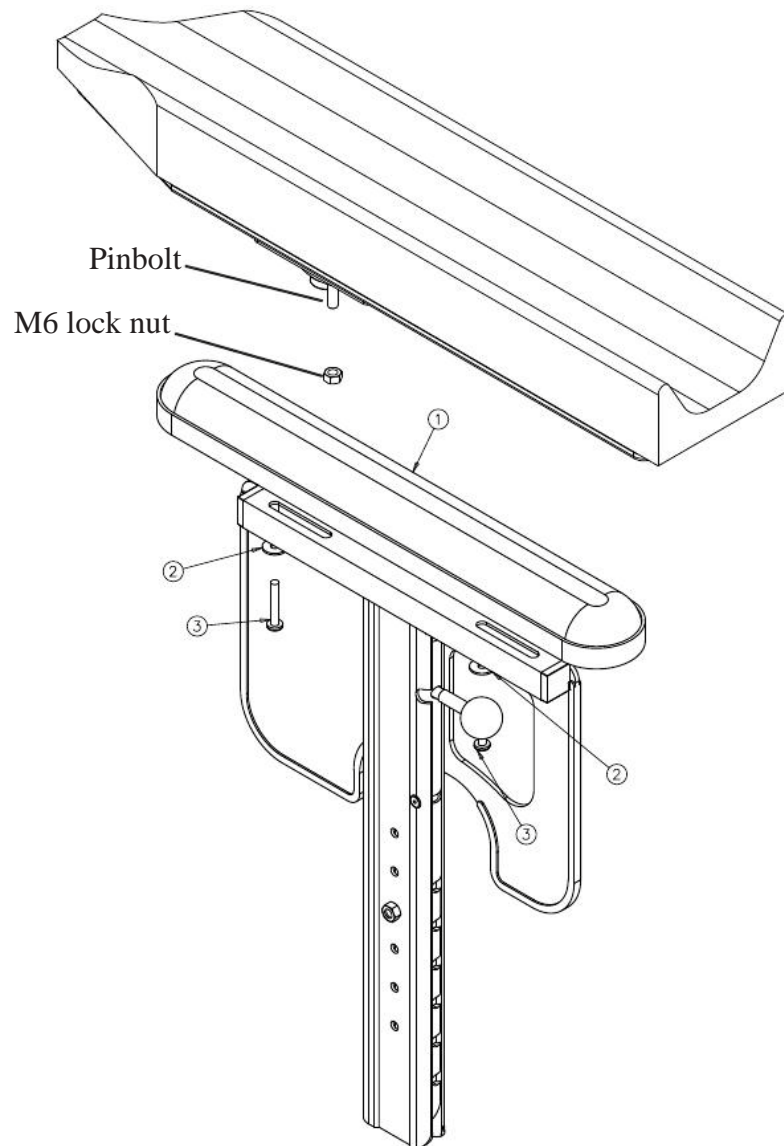


## Mounting description for Hemiplegia armrest

### 偏瘫扶手安装说明



Unfix both the screws (Pos.3), and remove the armrest pad. 松开螺丝(件 3),拆去扶手条

Remove the M6 lock nut from the Hemiplegia armrest and put the pinbolt on the Hemiplegia armrest into the track on the back of the armrest.

拆去偏瘫扶手上的 M6 防松螺母,将偏瘫扶手的螺栓插入扶手槽后端孔内

Put a stop disc (Pos.2) on the pinbolt and fix it with the M6 lock nut.

将止推垫片放在螺栓上并用 M6 螺母扭紧

This mounting description is the same for left and right.

偏瘫扶手左右侧安装方法相同